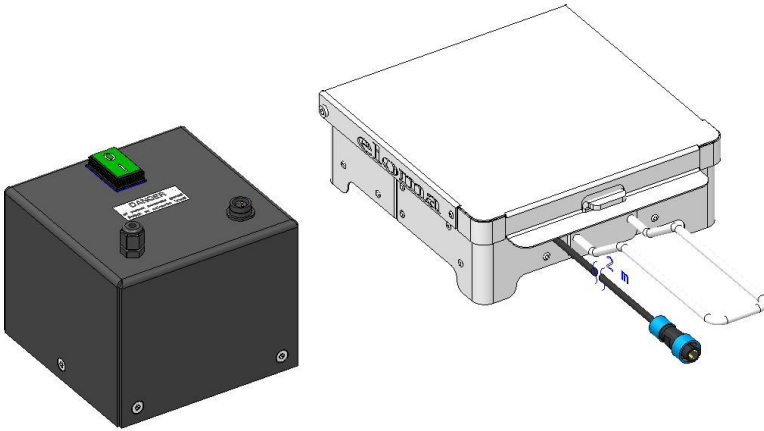




**eloma**



# SmokeFit

Type of energy: Electric

## Original operating instructions

Subject to technical changes.  
Read carefully before use.  
Keep for future use.

## **Imprint**

Eloma GmbH Innovative cooking and baking technology  
Otto-Hahn-Str. 10  
82216 Maisach  
Germany

Phone: +49 (0) 8141 395-0

Fax: +49 (0) 8141 395-130

## **Cooking forum and user tips**

Website: [www.eloma.com](http://www.eloma.com)

User hotline: +49 (0) 8141 395-150

## **Service**

Service hotline: +49 (0) 35023 63888



Appliance type: .....

Appliance no.: .....

**Dealer:**

**Installer:**

Date: .....

Installed on: .....

**Table of Contents**

**1 About this document ..... 4**

1.1 Content and target audience ..... 4

1.2 Handling this document ..... 4

1.3 Symbols used and layout of warnings ..... 4

1.4 Use of images ..... 5

1.5 Warranty and disclaimer of liability ..... 5

**2 Safety ..... 6**

2.1 Qualifications of operating staff ..... 6

2.2 Safety information ..... 6

**3 Description of the appliance ..... 9**

3.1 Appliance overview ..... 9

3.2 Intended use ..... 10

3.3 Function ..... 10

3.4 Ingredients for smoke generation ..... 10

3.5 Overview of systems the SmokeFit may be used in ..... 10

3.6 Electrical Protection ..... 11

**4 Technical Data ..... 11**

**5 Operation ..... 12**

**6 Cleaning and care ..... 18**

6.1 Notes on manual cleaning ..... 18

6.2 Cleaning intervals ..... 19

6.3 Prescribed cleaning and rinse agents ..... 19

6.4 Cleaning the box manually ..... 19

**7 Disposal ..... 20**

**8 Declaration of Conformity ..... 21**

---

# 1 About this document





## 1.1 Content and target audience

These original operating instructions describe how to operate, clean and care for the SmokeFit safely, along with measures for remedying errors. The operating instructions are aimed at people who will operate, clean and care for the SmokeFit.

## 1.2 Handling this document

- Keep these operating instructions accessible for operating and cleaning staff.
- Keep these operating instructions throughout the SmokeFit's entire life cycle.
- Pass these operating instructions on to subsequent owners.

## 1.3 Symbols used and layout of warnings

Symbol	Explanation
	Warning: a warning follows this symbol.
1. 2.	Multi-step instruction: multiple instructions must be followed in the given order.
	Single-step instruction: exactly one instruction must be followed.
 	List of several single-step instructions: instructions can be followed in any order.

Tab. 1: *Explanation of the symbols used*



**DANGER!**

**Type and source of the danger!**

Consequence: non-compliance will result in death.

- ▶ Action to avoid the danger.



**WARNING!**

**Type and source of the danger!**

Consequence: non-compliance will result in serious injury.

- ▶ Action to avoid the danger.



**CAUTION!**

**Type and source of the danger!**

Consequence: non-compliance will result in minor injury.

- ▶ Action to avoid the danger.

**NOTE!**

**Type and source of the danger!**

Consequence: non-compliance will result in material damage.

- ▶ Action to avoid the danger.



**Information**

- ▶ Technical note or tip on operation.

## 1.4 Use of images

Images are provided as examples only and may differ from the SmokeFit supplied.

## 1.5 Warranty and disclaimer of liability

You will find information on liability for material defects and warranty conditions in our general terms and conditions of business (T&C). During the operation of SmokeFit permanent smoke odor is possible. This is no reason for claim.

## 2 Safety

### 2.1 Qualifications of operating staff

- ▶ Make sure that this SmokeFit is only operated and cleaned by persons who have received instruction, regular training and a health and safety briefing.
- ▶ Make sure that the SmokeFit is only operated and cleaned by persons who have read the entire operating instructions carefully and have understood the safety information.
- ▶ Make sure that the following persons only operate the SmokeFit if a person with the above-named qualifications is supervising or giving instruction:
  - Children
  - Persons with impaired physical, sensory or mental abilities
  - Persons who do not have the above-named qualifications
- ▶ Make sure that only an Eloma service partner carries out repairs or maintenance work on the SmokeFit.

### 2.2 Safety information

Incorrect installation, servicing, cleaning, maintenance and modifications to the SmokeFit may result in damage to the appliance, serious injuries or death.

#### 2.2.1 Prior to operation

##### **Risk of personal injury from electric shock**

- ▶ The power voltage must match with the information on the rating plate. If necessary, use a plug adapter for connection of the SmokeFit.
- ▶ Connect the appliance only to sockets with protective earth.
- ▶ In case of malfunction disconnect the SmokeFit from the power supply and protect it from being switched on again.
- ▶ Make sure that only an Eloma service partner carries out repairs or maintenance work on the SmokeFit.

**Risk of fire from flammable materials**

- ▶ Prior to initial operation remove all of the protective plastic films and packaging.
- ▶ Make sure that there are no residues of dirt in the SmokeFit. Remove any residue.
- ▶ Use only the recommended wood chips for smoking.
- ▶ Do not use sawdust or dust raising materials for smoking.
- ▶ Do not overfill the SmokeFit with wood chips. An open cover may cause the ignition of the wood chips.

**Risk of injury by the rotating fan wheel**

- ▶ Lock the air baffle at the top and the bottom.

**2.2.2 During cooking**

**Risk of suffocation**

- ▶ The SmokeFit must not be operated outside the combisteamer.
- ▶ The SmokeFit must only be operated inside combisteamers under a powered exhaust system. The fume from the exhaust system must be evacuated from the building.
- ▶ Do not open the combisteamer door during smoking. Fresh air in the combisteamer may cause ignition of the wood chips.

**Risk of burns from hot vapors and fume**

- ▶ Always open the combisteamer door slowly.
- ▶ Never use the hand shower for cooling down the SmokeFit.

**Risk of fire**

- ▶ Do not store highly flammable materials near the SmokeFit.
- ▶ Do not place the power supply unit on the cover of the combisteamer.
- ▶ The plug to the power supply must not be heated in the combisteamer.
- ▶ Dispose of the hot ash only in a fireproof bin.
- ▶ Do not spray aerosols in the vicinity of the SmokeFit while it is in operation or cooling down.

### **Risk of burns from hot surfaces**

- ▶ The temperature of the SmokeFit may exceed 180°C (355°F).
- ▶ Allow the SmokeFit to cool down before touching it.
- ▶ Always wear thermal protective gloves to hold the SmokeFit and during handling the combisteamer.
- ▶ Do not use the cool-down mode during operation.

### **Risk of damage through falling down**

- ▶ The power supply must be properly routed during operation.

## **2.2.3 Cleaning**

### **Risk of burns from hot surfaces**

- ▶ Do not touch the SmokeFit before it has cooled down.

### **Risk of chemical burns from cleaning and rinse agents**

- ▶ Observe the safety information for the prescribed cleaning and rinse agents (see section 6.3).

For manual cleaning:

- ▶ Wear protective clothing (e.g. long-sleeved clothing, protective gloves and glasses).
- ▶ Allow the SmokeFit to cool down before cleaning it.
- ▶ Do not inhale spray mist from the cleaning and rinse agents.

### **Material damage from improper cleaning**

- ▶ Do not clean the housing with the hand shower, water jets, steam cleaners or high-pressure cleaners.
- ▶ Use only the prescribed cleaning and rinse agents (see section 6.3).
- ▶ Do not clean the housing with flammable cleaning agents.
- ▶ Observe the cleaning intervals (see section 6.2).

## **2.2.4 Maintenance**

### **Risk of fire from improper maintenance**

- ▶ Make sure that only an Eloma service partner carries out maintenance work.



### 3 Description of the appliance

#### 3.1 Appliance overview

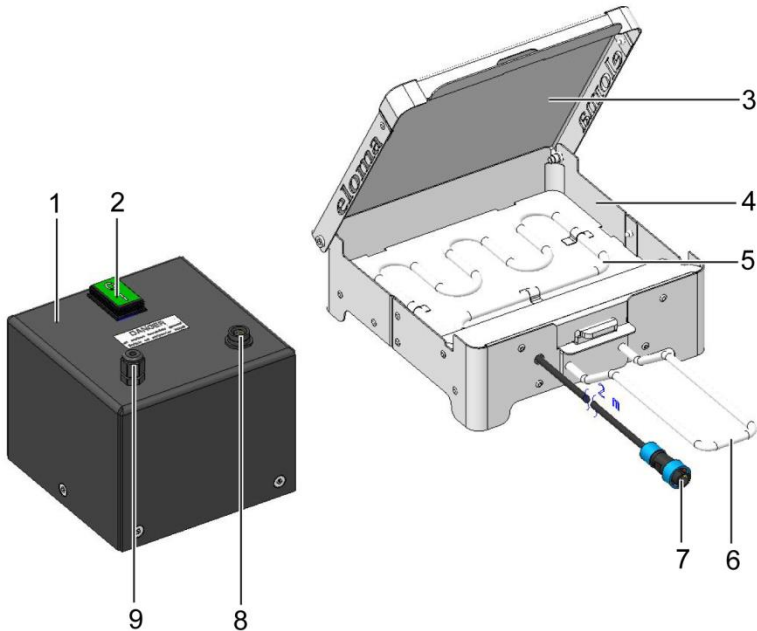


Fig. 1: Appliance overview

- |                       |                               |
|-----------------------|-------------------------------|
| 1. Transformer        | 6. Handle                     |
| 2. Power switch       | 7. Power cable (SmokeFit)     |
| 3. Cover              | 8. Connector for supply cable |
| 4. Box for wood chips | 9. Power cable (Transformer)  |
| 5. Heating element    |                               |



#### **CAUTION!**

##### **Risk of injury by dropping heavy transformer!**

- ▶ The transformer shall be fixed to the combisteamer with the provided mounting bracket.

The delivery includes a preinstalled mounting bracket.

## Description of the appliance

---

### 3.2 Intended use

The SmokeFit shall only be used to smoke food in commercial environments.

Steam condensation systems, such as the Multi Eco Hood are not applicable with the SmokeFit because there is no connection to the exhaust system.



#### **WARNING!**

##### **Risk of fire from flammable materials!**

Burns

- ▶ Do not use the SmokeFit for smoking food containing flammable ingredients such as alcohol and substances with a low ignition temperature.

### 3.3 Function

The SmokeFit is made of stainless steel with an electric heating element. The cover of the SmokeFit must be completely closed during operation. Avoid the overfilling of the box. The SmokeFit guarantees a safe and equal smoke emission. The SmokeFit is operated inside the combisteamer. The products to be smoked are cooked and smoked at the same time. The SmokeFit is not suitable for the traditional cold smoking.

During operation the combisteamer temperature should not exceed 180 °C (355 °F).

To avoid heavy pollution place the SmokeFit on a rack level above the product.

### 3.4 Ingredients for smoke generation

Use only recommended wood chips in dry condition.

### 3.5 Overview of systems the SmokeFit may be used in

The SmokeFit can be used in all Eloma combisteamers except the following sizes:

- 12-21, 20-21, 20-11

### 3.6 Electrical Protection

Within the housing the SmokeFit is protected by the following fuses.

- 1 ea EL2002493 micro fuse 4 A / time-lag –UL–
- 1 ea EL2002494 micro fuse 5 A / time-lag –UL–
- ▶ For changing the fuses disconnect the SmokeFit from the power supply and protect it from being switched on again.
- ▶ This repair must only be carried by an Eloma service partner.

## 4 Technical Data

Dimensions	[mm]	[Inch "]
Height	75	3
Width	210	8.72
Depth	225	8.86

Tab. 2: Dimensions

Electrical connection	
Mains voltage	115 / 230 V AC
Connected load	100 W

Tab. 3: Electrical connection

### 5 Operation



#### **WARNING!**

##### **Risk of fire!**

Plug is exposed to heat

- ▶ Use only recommended wood chips.
- ▶ Always place the plug to the power supply outside the combisteamer.
- ▶ Do not place the power supply on the cover.
- ▶ Use only original and fireproof accessories manufactured by the combisteamer producer.
- ▶ Disconnect the cables from the power unit during long breaks.

#### **NOTE!**

##### **Toxic fumes and material damage!**

Residues on the box and combisteamer due to scorched fat and/or jus

- ▶ Always apply a drip tray between the SmokeFit and the product when placing the SmokeFit at the bottom of the combisteamer.

#### **NOTE!**

##### **Material damage!**

Damage to the plug due to connection by force

- ▶ The cable is fastened by screwing. Observe the polarity of the connector.

#### **NOTE!**

##### **Extended preheating time of the SmokeFit!**

- ▶ Use only dry wood chips.
- ▶ If the smoking time is not long enough, replace the waste wood chips by fresh ones.



*Fig. 2: Position of SmokeFit in the combi-steamer*

1. Place the SmokeFit only on a flat GN container at the top or the bottom of the racks.



*Fig. 3: Inserting wood chips into the box*

2. Insert wood chips into the box.
3. Close the cover.



### **WARNING!**

#### **Risk of fire!**

Fat or oil dripping onto the hot SmokeFit cover

- ▶ For bottom-use place a drip tray on a rack level directly above the SmokeFit to prevent liquids dripping onto the hot SmokeFit cover.



*Fig. 4: Connecting the power cable*

4. Connect the power cable.
5. Switch on the power unit.
6. Pass the cable through the door seal carefully.
7. Make sure, that the cable is not exposed to sharp edges.



*Fig. 5: Cable run*

8. Close the combi-steamer door.
9. Select the cooking program.
10. When the SmokeFit starts to smoke, load the product. It takes approx. 20 minutes until the smoke emission starts.
11. When finished, switch off the power unit.
12. Disconnect the power cable from the power unit.
13. Unload the smoked product.





*Fig. 6: Hot SmokeFit outside the combisteamer*

14. Remove the SmokeFit from the combisteamer and place it on a fireproof surface.
15. Let the SmokeFit cool down.
16. Carefully open the SmokeFit. Mind the hot fume.
17. Dispose of used wood chips in a fireproof bin.



*Fig. 7: Clean SmokeFit*

18. Clean the SmokeFit.

### 6 Cleaning and care

#### 6.1 Notes on manual cleaning



##### **CAUTION!**

##### **Risk of burns from hot surfaces!**

Burns on the skin

- ▶ Allow the SmokeFit to cool down before cleaning it.



##### **CAUTION!**

##### **Risk of scalding from hot steam!**

Burns on the skin

- ▶ Do not apply cleaner on hot surfaces.
- ▶ Allow the SmokeFit to cool down before cleaning it.



##### **CAUTION!**

##### **Risk of chemical burns from cleaning and rinse agents!**

Chemical burns to the skin and eyes

- ▶ Allow the SmokeFit to cool down before cleaning it.
- ▶ Wear protective clothing (e.g. long-sleeved clothing, protective gloves and glasses).
- ▶ Observe the safety information for the prescribed cleaning and rinse agents (see section 6.3).
- ▶ Do not inhale spray mist from the cleaning and rinse agents.

##### **NOTE!**

##### **Material damage from incorrect cleaning agents!**

Stains in the box, damage to the housing

- ▶ Use only the prescribed cleaning and rinse agents (see section 6.3).
- ▶ Do not clean the housing with flammable cleaning agents.
- ▶ Do not use sharp, pointed objects for cleaning.
- ▶ Do not use scouring or abrasive cleaning agents (e.g. steel wool).

### 6.2 Cleaning intervals



#### **WARNING!**

#### **Risk of fire due to residues in the SmokeFit!**

Burns and material damage

- ▶ Clean the SmokeFit before and after every use.

### 6.3 Prescribed cleaning and rinse agents

- Do not use a high pressure cleaner to clean the SmokeFit.
- Do not use the autoclean function of the combisteamer to clean the SmokeFit.
- Do not use acids or expose the SmokeFit to acid fumes. This will damage the coating the SmokeFit may change color.
- Do not use abrasives or corrosive agents.
- Do not use steel wool, wire brushes, scrapers or other sharp cleaning devices.
- Cleaning the seal of the combisteamer after each use with a non-abrasive agent will avoid undesirable odors.

The following cleaning and rinse agents are approved for cleaning the SmokeFit:

- mild detergent and a soft cleaning sponge

### 6.4 Cleaning the box manually



#### **WARNING!**

#### **Personenschaden durch elektrischen Schlag!**

Verbrennungen

- ▶ Make sure that the SmokeFit is disconnected from the power supply
1. Thoroughly remove all residues like fat, food, etc.
  2. Treat heavily soiled areas with a water soluble degreaser.
  3. Dry the SmokeFit.

### 7 Disposal



Do not dispose of the appliance with residual waste.

- ▶ Dispose of the appliance in accordance with the applicable local regulations for waste equipment.
- ▶ Contact the local authorities for further information.

## 8 Declaration of Conformity

Eloma GmbH declares that this product is in conformity with the following EU directives:

Low Voltage Directive (LVD) 2006/95/EC

- EN 60335-1:2002 + A11 + A1 + A12 + Corr. + A2 + A13 + A14:2010

Electro Magnetic Compability EMC 2004/108/EC

- EN 55014-1:2006 + A1:2009
- EN 61000-3-11:2000, EN 61000-3-12:2006
- EN 55014-2:1997 + A1:2001 + A2:2008

Restriction of Hazardous Substances RoHS 2011/65/EU

Maisach, 03.02.2015



Dr. Christian Böhm  
Manager Product Design



Bernd Hoffmann  
Manager Production



**eloma**

bet\_el2002213\_smf\_\_01\_EN | 08/2015